



Cat. No. 60-4234

Annihilator

Your RadioShack Annihilator is built to handle the road, whether the road is the hallway in your house or the sidewalk outside. Built to $\frac{1}{10}$ scale, it can reach speeds of up to 1120 feet per minute! It has super-size racing wheels to handle the straight-aways or rough spots, and two gear speeds to handle most racing conditions.

The Annihilator's electronically controlled gearshift lets you change gears at the press of a button on the transmitter *while* the Annihilator is moving. When your friends stop to change gears on their cars, you can move right on by!

Note: You need the following items (not supplied) to power your Annihilator:

- at least one 9.6V rechargeable battery pack for the car
- one 9V battery for the transmitter
- one battery pack charger

Warning: This car can reach higher speeds than many other radio-controlled cars. Be careful to avoid high-impact collisions with people and objects.

THE FCC WANTS YOU TO KNOW

Your Annihilator or its transmitter might cause TV or radio interference even when it is operating properly. To determine whether your car or its transmitter is causing the interference, turn off your Annihilator and its transmitter. If the interference goes away, your vehicle or transmitter is causing it.

Try to eliminate the interference by:

- moving the Annihilator and its transmitter away from the TV or radio
- contacting your local RadioShack store for help

If you cannot eliminate the interference, the FCC requires that you stop using your Annihilator.

Changes or modifications to this product not expressly approved by RadioShack, or operation of this product in any way other than as detailed by the Owner's Manual, could void your authority to operate the product.

© 1999 Tandy Corporation.
All Rights Reserved.

RadioShack is a registered trademark used by Tandy Corporation.

USING THE BATTERY PACK

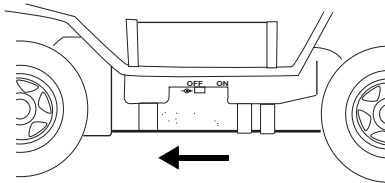
You need a 9.6V rechargeable battery pack for the car. Before you use the battery pack, you must charge it using a special battery-pack charger.

Once you charge the battery pack (according to the battery charger's supplied instructions), follow these steps to install the battery pack in the Annihilator.

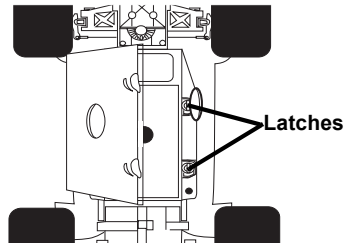
Cautions:

- Use only the required battery pack and charger.
- Do not charge (or recharge) the battery pack while it is in the car.
- When you disconnect the battery pack from the charger, do not pull on the connector's wires. Otherwise, you might damage the battery pack.
- After you charge or recharge the battery pack, disconnect it from the charger. Overcharging the battery pack could damage it.

1. Set **OFF/ON** on the side of the car to **OFF**.



2. Use a coin to turn the two battery compartment latches counterclockwise until they stop, then lift the cover up.



3. Put the battery pack in the compartment with the battery pack's connector on the same side as the car's matching connector.
4. Attach the battery pack's connector to the car's matching connector. Do not force them! They fit only one way.
5. Close the cover and then turn the latches clockwise until they stop to secure the battery compartment.

When the car loses power, remove the battery pack from the car and recharge it according to the battery charger's supplied instructions.

Warning: Dispose of old batteries and battery packs promptly and properly. Do not burn or bury them.

Cautions:

- Do not recharge a battery pack immediately after use (while it is still hot). Allow it to cool first.
- If you will not be using the Annihilator for several days, disconnect the battery pack from the car.

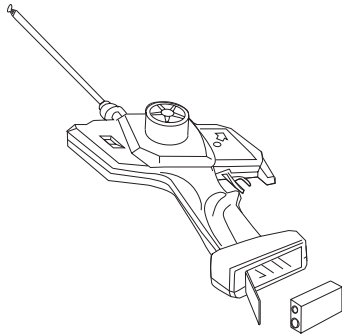
Important: Contact your local, county, or state hazardous waste management authorities for information on recycling or disposal programs in your area. Some options that might be available are: municipal curbside collection, drop-off boxes at retailers such as your local RadioShack store, recycling collection centers, and mail-back programs.

INSTALLING THE TRANSMITTER'S BATTERY

The transmitter requires one 9V battery.

Cautions:

- Use only a fresh battery of the required size and recommended type.
- Never leave a dead or weak battery in the transmitter.



1. Press down on the battery compartment cover and slide it in the direction of the arrow.
2. Place a battery in the compartment according to the polarity symbols (+ and -) marked inside.
3. Snap the cover shut.

When the transmitter's range decreases, replace its battery. When you finish driving the Annihilator, be sure to turn off the transmitter to preserve the life of the batteries.

INSTALLING THE TRANSMITTER'S ANTENNA

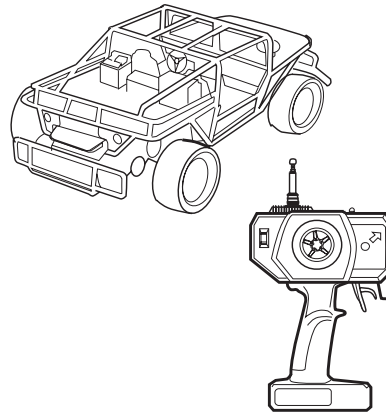
Insert the telescoping antenna into the slot on top of the transmitter, then turn the antenna fully clockwise to secure it firmly in place.

DRIVING THE ANNIHILATOR

Warning: Never play with your Annihilator in the street.

Caution: Do not drive the Annihilator in puddles, on a wet floor, on sand, or in mud, rain, or snow. These can damage it.

1. Pull out and fully extend the transmitter's antenna.
2. Slide **ON/OFF** on the Annihilator to **ON**.
3. Use the transmitter's speed control trigger and steering wheel to drive and steer the Annihilator.



Speed Control Trigger

- Pull the trigger to the left to move forward.
- Pull the trigger to the leftmost position to drive in turbo.
- Pull the trigger to the right to move backward.

Steering Control Wheel

- Turn counterclockwise to move left (L).
 - Turn clockwise to move right (R).
 - Release to go straight.
4. Press the gear control button on the transmitter to set the Annihilator's gear.
- For driving on a smooth surface, press the button so it stays *down* (high gear). When driving in high gear, the red indicator on the transmitter lights.
 - For driving on a rough surface or on an incline, press (and release) the button so it pops *up* (low gear). When driving in low gear, the green indicator on the transmitter lights.

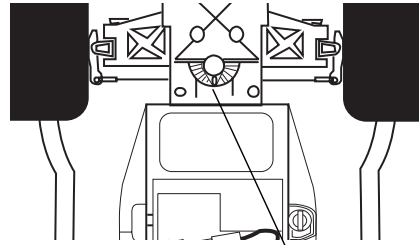
Notes:

- The Annihilator might make popping or grinding noises when you press the gear control button. This is normal.
 - If the Annihilator does not respond after you press the button, pick it up and turn its back wheels by hand. Then try again.
5. When you finish driving the Annihilator, slide **ON/OFF** on the car to **OFF**.

WHEEL ALIGNMENT

If the Annihilator does not go in a straight line when you release the steering wheel, adjust the wheel alignment control on the bottom of the car.

Slide the control toward **L** if the Annihilator is pulling to the right, or toward **R** if the car is pulling to the left.



Wheel Alignment Control

HELPFUL HINTS

These hints can help you get the most enjoyment from your Annihilator.

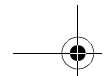
- For maximum battery life, we recommend you start (from a complete stop) in low gear.
- Running your car continuously for long periods generates high heat levels. Heat causes wear and tear on the motor. To help keep heat levels down, when your car's battery power dies, let the car cool at least 10 minutes before installing a new or newly charged battery pack.
- The Annihilator uses more battery power to run in high gear than it does in low gear. If the battery becomes weak while you are in high gear, you can usually drive the Annihilator in low gear for about 1–2 minutes.
- If the car moves slowly and you have installed a fully charged battery pack, check the wheel mechanisms for lint, thread, hair or dust.
- If someone uses a CB nearby, it might interfere with control of the Annihilator. If this happens, move the Annihilator and transmitter away from the CB.
- You cannot operate your Annihilator near devices with transmitters that use the same frequency as your car (27 MHz or 49 MHz). Check the Annihilator's box to see which frequency your car uses.

CARE

The following suggestions will help you care for your Annihilator so you can enjoy it for years.

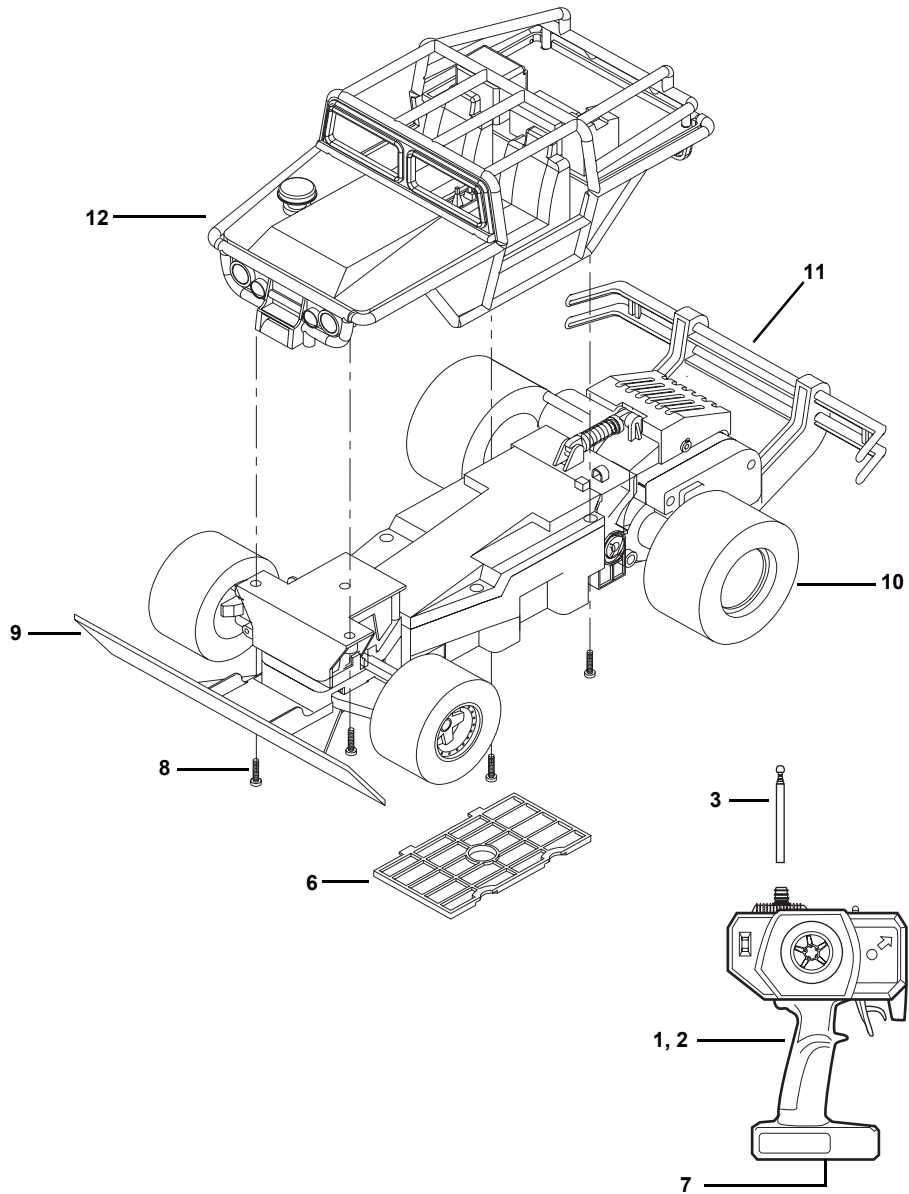
- Do not drive the car through puddles or mud, on a wet floor, or in sand, rain, or snow. These can damage it.
- Do not expose the car or transmitter to temperature extremes, and do not store them in direct sunlight or near a heat source.
- Do not leave the car or transmitter outside overnight. Night dampness can damage their electronic circuits.
- To protect the car's mechanisms from lint and hair, do not drive the car on carpet.
- Wipe the car and transmitter with a damp cloth occasionally to keep them looking new. Do not use harsh chemicals to clean them.

Modifying or tampering with the car's or transmitter's internal components can cause a malfunction and might invalidate the car's warranty and void your FCC authorization to operate it. If your car is not performing as it should, take it and the transmitter to your local RadioShack store for assistance.



USER-REPLACEABLE PARTS

You can order replaceable parts for this vehicle at your local RadioShack store. Simply identify the part(s) you need from the exploded view drawing, then find the part number in the "Part Number Chart" on Page 7.



Part Number Chart

Ref. No.	Description	RSU #	NP #
1	Transmitter (27 MHz)	12176970	ZA-90210
2	Transmitter (49 MHz)	12176988	ZA-90211
3	Transmitter Antenna	11972601	A-90056
4	Receiver Antenna Wire* (Red, 49 MHz; Yellow, 27 MHz)	12177085	A-90205
5	Receiver Antenna Tube Set*	10681781	HC4899
6	Car Battery Door	11444080	DB-1742
7	Transmitter Battery Door	12176996	DB-91038
8	<i>Hardware Kit</i> Consists of: Metal Screw 3 x 16 PT (2) Metal Screw 3 x 22 PT (2)	12177002	HW-6004234
9	Front Bumper Guard	12062386	Z-91363
10	Rear Wheel Assembly (Left/Right)	12177010	Z-91975
11	Rear Bumper Guard	12177028	Z-91976
12	Car Body Assembly Label	12177036	Z-91977
13	Owner's Manual*	12177044	MU-6004234
14	Service Manual*	12177051	MS-6004234

*Not shown in exploded view.

Limited Ninety-Day Warranty

This product is warranted by RadioShack against manufacturing defects in material and workmanship under normal use for ninety (90) days from the date of purchase from RadioShack company-owned stores and authorized RadioShack franchisees and dealers. EXCEPT AS PROVIDED HEREIN, RadioShack MAKES NO EXPRESS WARRANTIES AND ANY IMPLIED WARRANTIES, INCLUDING THOSE OF MERCHANTABILITY AND FITNESS FOR A PARTICULAR PURPOSE, ARE LIMITED IN DURATION TO THE DURATION OF THE WRITTEN LIMITED WARRANTIES CONTAINED HEREIN. EXCEPT AS PROVIDED HEREIN, RadioShack SHALL HAVE NO LIABILITY OR RESPONSIBILITY TO CUSTOMER OR ANY OTHER PERSON OR ENTITY WITH RESPECT TO ANY LIABILITY, LOSS OR DAMAGE CAUSED DIRECTLY OR INDIRECTLY BY USE OR PERFORMANCE OF THE PRODUCT OR ARISING OUT OF ANY BREACH OF THIS WARRANTY, INCLUDING, BUT NOT LIMITED TO, ANY DAMAGES RESULTING FROM INCONVENIENCE, LOSS OF TIME, DATA, PROPERTY, REVENUE, OR PROFIT OR ANY INDIRECT, SPECIAL, INCIDENTAL, OR CONSEQUENTIAL DAMAGES, EVEN IF RadioShack HAS BEEN ADVISED OF THE POSSIBILITY OF SUCH DAMAGES.

Some states do not allow the limitations on how long an implied warranty lasts or the exclusion of incidental or consequential damages, so the above limitations or exclusions may not apply to you.

In the event of a product defect during the warranty period, take the product and the RadioShack sales receipt as proof of purchase date to any RadioShack store. RadioShack will, at its option, unless otherwise provided by law: (a) correct the defect by product repair without charge for parts and labor; (b) replace the product with one of the same or similar design; or (c) refund the purchase price. All replaced parts and products, and products on which a refund is made, become the property of RadioShack. New or reconditioned parts and products may be used in the performance of warranty service. Repaired or replaced parts and products are warranted for the remainder of the original warranty period. You will be charged for repair or replacement of the product made after the expiration of the warranty period.

This warranty does not cover: (a) damage or failure caused by or attributable to acts of God, abuse, accident, misuse, improper or abnormal usage, failure to follow instructions, improper installation or maintenance, alteration, lightning or other incidence of excess voltage or current; (b) any repairs other than those provided by a RadioShack Authorized Service Facility; (c) consumables such as fuses or batteries; (d) cosmetic damage; (e) transportation, shipping or insurance costs; or (f) costs of product removal, installation, set-up service adjustment or reinstallation.

This warranty gives you specific legal rights, and you may also have other rights which vary from state to state.

RadioShack Customer Relations, 200 Taylor Street, 6th Floor, Fort Worth, TX 76102

We Service What We Sell

04/99

RadioShack
A Division of Tandy Corporation
Fort Worth, Texas 76102

07A99

Printed in Hong Kong